

HYDRAULIC SOLUTIONS

TO SUIT EVERY APPLICATION...

YOUR HYDRAULIC CYLINDER SOLUTION

IHS ENJOYS A UNIQUE POSITION IN THE MARKET WITH HYDRAULIC EQUIPMENT IN SPECIALIST APPLICATIONS WITHIN CONSTRUCTION, MINING, MARITIME AND GENERAL ENGINEERING INDUSTRIES.

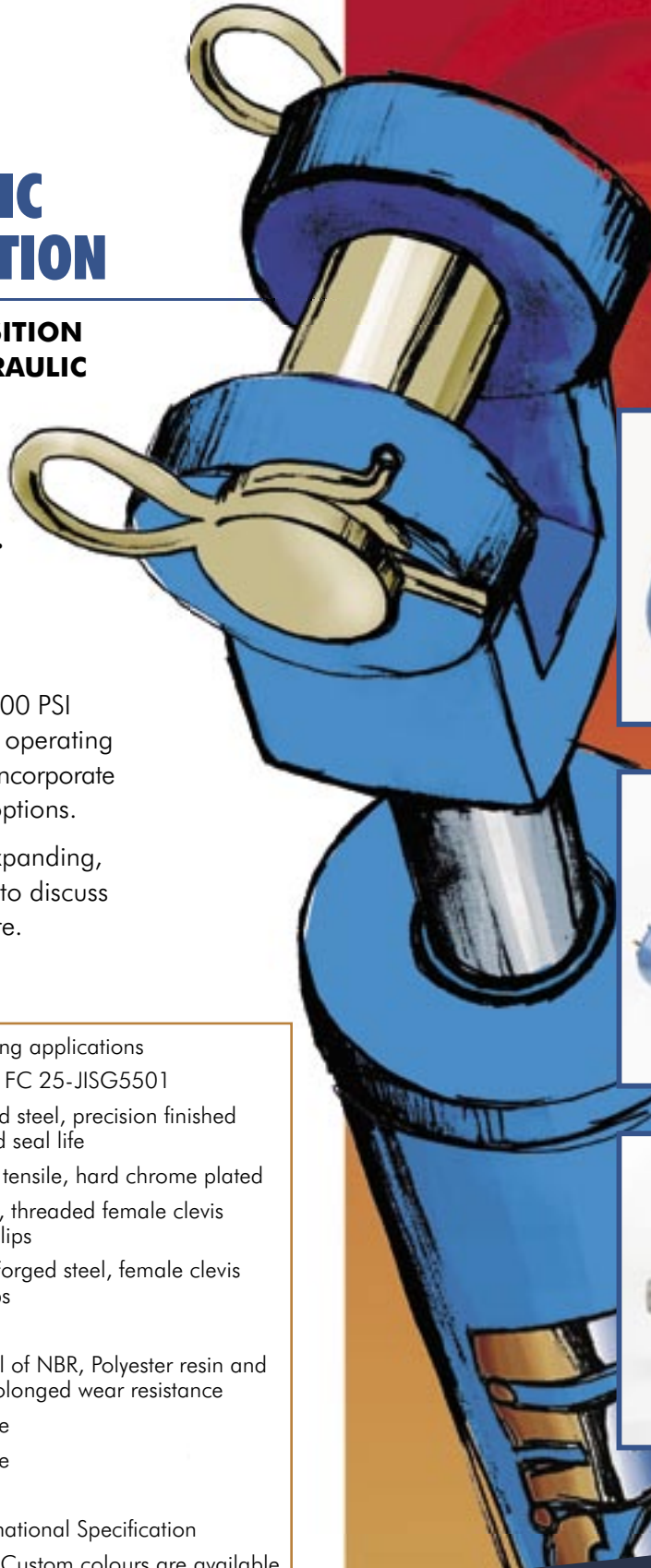
IHS now offer *IHS PREMIUM* hydraulic cylinders for agriculture and mobile applications.

The cylinders are designed from 100 PSI (6.89 bar) to 5945 PSI (410 bar) operating ranges. The customer design can incorporate valves; wide range of mounting options.

Our capabilities are constantly expanding, and we welcome the opportunity to discuss specifications that you may require.

SPECIFICATIONS

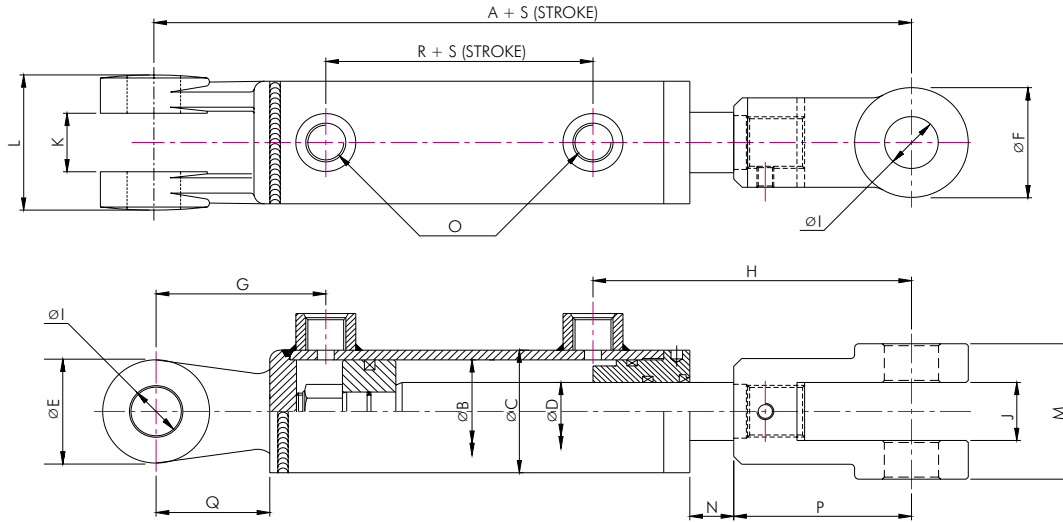
Intended Use	Double acting applications
Gland	Ductile iron FC 25-JISG5501
Tube	ST-52 Skived steel, precision finished for extended seal life
Rod	CK45 High tensile, hard chrome plated
Rod End Mount	Ductile iron, threaded female clevis with pin & clips
Base End Mount	AISI 1030 Forged steel, female clevis with pin clips
Piston	ASTM A-36
Piston Seal	5-piece seal of NBR, Polyester resin and PTFE for prolonged wear resistance
Wiper Seal	Polyurethane
Rod Seal	Polyurethane
O-Rings	NBR
Seals & O-Rings	Meets International Specification
Paint	Royal blue, Custom colours are available



IHS

Industrial Hydraulic Services Pty. Ltd.

INSTALLATION DIMENSIONS



A	B	S	C	D	E	F	G	H	I	J	K	L	M	N	O	P	Q	R
Closed Centres	Bore	Stroke		Rod											Port			
12.25	2.0	8.0	2.37	1.125	2.00	2.13	3.37	5.62	1.01	1.12	1.13	2.63	2.63	0.42	3/4" 16 SAE	3.33	2.13	3.25
		12.0																
		16.0																
		18.0																
		20.0																
311.2	50.8	20.0	60.32	28.58	50.80	54.00	85.75	142.83	25.60	28.57	28.80	66.68	66.68	10.75		84.50	54.00	82.55
		24.0																
		30.0																
		36.0																
		8.0																
12.25	2.5	12.0	2.87	1.25	2.00	2.13	3.37	5.75	1.01	1.12	1.13	2.63	2.63	0.42	3/4" 16 SAE	3.33	2.13	3.13
		16.0																
		18.0																
		20.0																
		24.0																
311.2	63.5	24.0	73.00	31.75	50.80	54.00	85.75	146.05	25.60	28.57	28.80	66.68	66.68	10.75		84.50	54.00	79.38
		30.0																
		36.0																
		8.0																
		12.25																
16.0																		
18.0																		
20.0																		
24.0																		
311.2	76.2	24.0	85.72	38.10	50.80	54.00	79.39	150.81	25.60	28.57	28.80	66.50	66.68	10.75		84.50	47.63	80.96
		30.0																
		36.0																
		8.0																
		12.25																
16.0																		
18.0																		
20.0																		
24.0																		
311.2	88.9	24.0	98.42	44.45	50.80	64.00	79.38	160.33	31.90	28.57	28.80	66.50	72.00	11.60		90.00	47.63	71.45
		30.0																
		36.0																
		8.0																
		12.25																
16.0																		
18.0																		
20.0																		
24.0																		
311.2	101.6	24.0	114.30	50.80	63.50	64.00	76.20	168.28	31.90	28.57	28.80	66.50	72.00	11.60		90.00	44.45	66.67
		30.0																
		36.0																

Bold type = Inches *Italic type = Millimetres*



Industrial Hydraulic Services Pty. Ltd.

391 Plummer Street,
 Port Melbourne, 3207 VIC Australia
 Tel: +(61 3) 9645 1522
 Fax: +(61 3) 9646 5966
 Email: info@ihs-aust.com.au
 Web: www.ihs-aust.com.au

DEALER